

SECTION 03-12 Air Intake System

SUBJECT	PAGE	SUBJECT	PAGE
DESCRIPTION	03-12-1	REMOVAL AND INSTALLATION (Cont'd)	
DIAGNOSIS AND TESTING	03-12-1	Air Filter	03-12-1
REMOVAL AND INSTALLATION		SPECIFICATIONS	03-12-2
Air Cleaner Assembly	03-12-2	VEHICLE APPLICATION	03-12-1

VEHICLE APPLICATION

Capri.

DESCRIPTION

The air filter housing is located at the left front of the engine compartment. It houses a dry type replaceable air cleaner element and supplies the engine with filtered air for combustion. The vane air flow (VAF) meter and ignition coil are attached to the air cleaner cover.

DIAGNOSIS AND TESTING

For diagnosis and testing procedures, refer to Section 12B in the Powertrain Control/Emissions Diagnosis Manual¹.

REMOVAL AND INSTALLATION

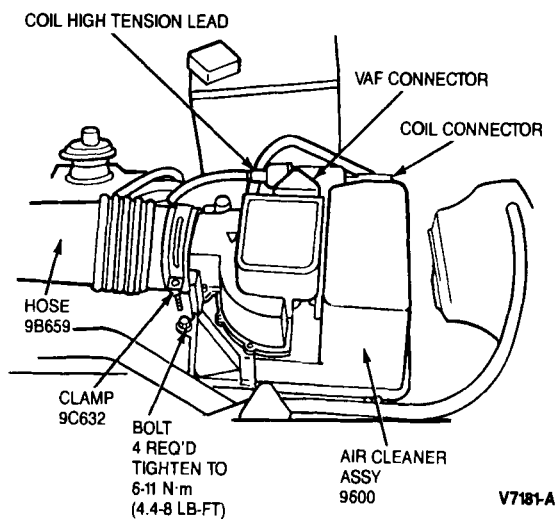
Air Filter

Removal

1. Remove negative battery cable.
2. Disconnect coil high tension lead, coil connector and VAF connector.
3. Remove clamp and position intake hose out of the way.
4. Remove four bolts and air cleaner cover.
5. Remove air cleaner element.

Installation

1. Install air cleaner element and cover. Tighten retaining bolts to 6-11 N·m (4.4-8 lb-ft).
2. Connect intake hose and tighten clamp.
3. Install VAF and coil connectors. Connect coil high tension lead.
4. Connect negative battery cable.
5. Start engine and check for vacuum leaks. Service as required.



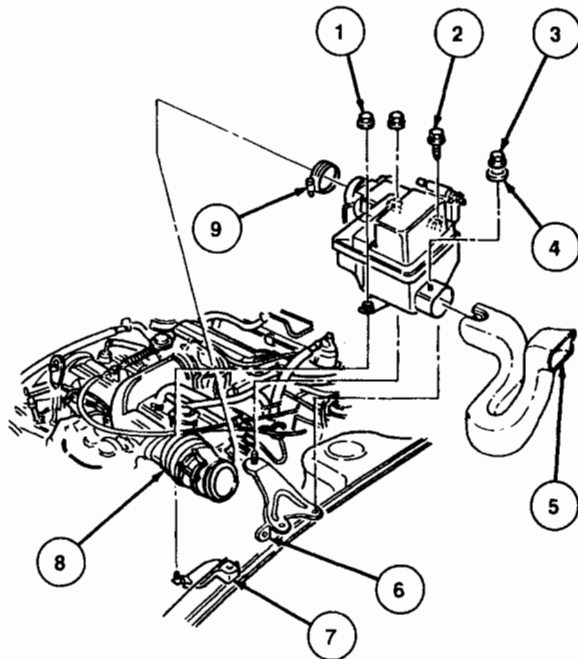
¹ Can be purchased as a separate item.

REMOVAL AND INSTALLATION (Continued)

Air Cleaner Assembly

Removal

1. Remove negative battery cable.
2. Disconnect coil high tension lead, coil connector and VAF connector.
3. Remove clamp and position intake hose out of the way.
4. Remove two nuts, one bolt and air cleaner assembly.
5. Loosen nut and remove nozzle, if required.
6. Remove two nuts, one bolt and air cleaner assembly.



1.6L NATURALLY ASPIRATED SHOWN
1.6L TURBOCHARGED SIMILAR

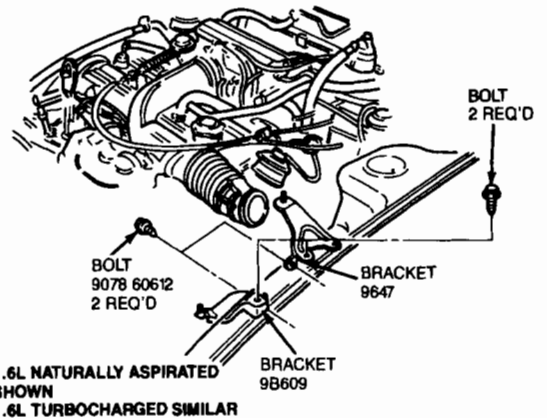
V7182-B

Item	Part Number	Description
1	9994-00600	Nut (2 Req'd)
2	—	Bolt (1 Req'd)
3	9994-00601	Nut (1 Req'd)
4	E830104-S36D	Washer (1 Req'd)
5	9A675	Nozzle
6	9647	Bracket

(Continued)

Item	Part Number	Description
7	9B609	Bracket
8	—	Air Intake Hose Clamp
9	9C632	Clamp

7. Remove bolts and brackets if necessary,



V7183-A

Installation

1. Install brackets with bolts, if removed.
2. Install nozzle with nut and washer, if removed.
3. Install air cleaner assembly with two bolts and one nut. Tighten securely.
4. Connect intake hose and tighten clamp.
5. Install VAF and coil connectors. Connect coil high tension lead.
6. Connect negative battery cable.
7. Start engine and check for vacuum leaks. Service as required.

SPECIFICATIONS

TORQUE SPECIFICATIONS

Description	N-m	Lb-Ft
Air Cleaner Cover	6-11	4.4-8